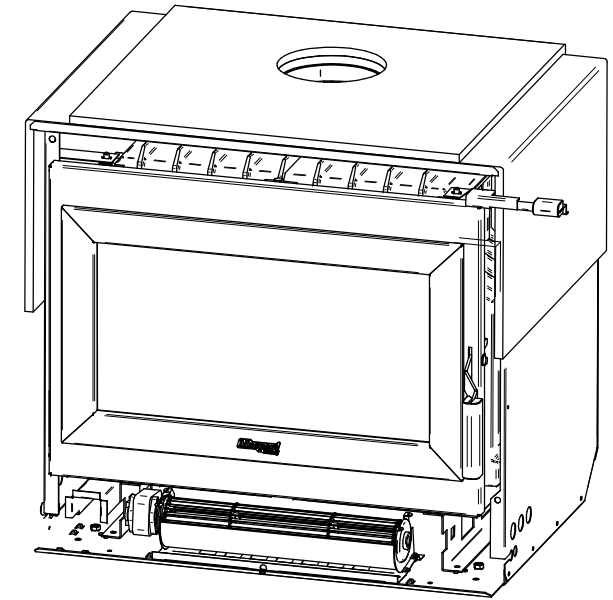
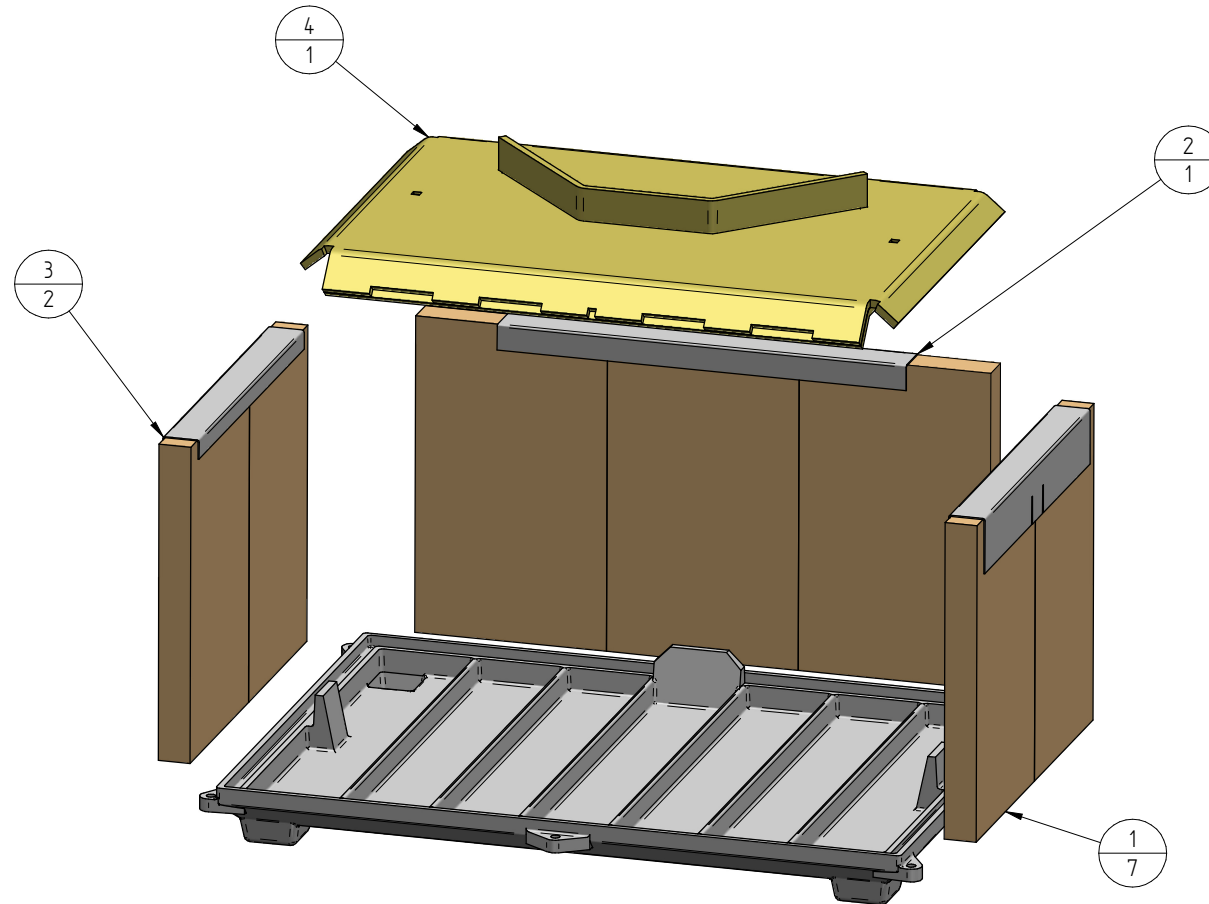


This drawing is the Property of GLEN DIMPLEX AUSTRALASIA LTD. All dimensions are outside/outside unless otherwise stated.

Item Number	Document Number	Title	Material	Quantity
1	MIC00354	MIC BRICK	MASONRY	7
2	987146	CHANNEL - BRICK RETAINER LE7000	Stainless Steel 0.9mm	1
3	994258	CHANNEL BRICK RETAINER F2000	Stainless Steel 0.9mm	2
4	993436	BAFFLE ASSY STL F7000		1

<b>PART NUMBER :</b> 593487			<b>REVISION LEVEL :</b> A
Amendment	Date	By	<b>TOLERANCES :</b> Decimal Places: 0 ± 0.5 0.0 ± 0.2 Angles Degrees: 0 ± 5°



**BRICK & BAFFLE LAYOUT FOR  
19000 AU/NZ MODELS**

**GLEN DIMPLEX AUSTRALASIA LTD**  
38 HARRIS ROAD, EAST TAMAKI, AUCKLAND, NEW ZEALAND  
Ph 09 274 8265, Fax 09 274 8472, Email : Eng\_Office@glendimplex.co.nz

Customer : GDA	Drawing No : 593487	Drawn : Leonk	Date : 13-08-09	Chk'd By :
Part Name : 19000 AU/NZ BRICK LAYOUT	Material :	Modified : benh	Date : 02-05-11	Finish : Natural